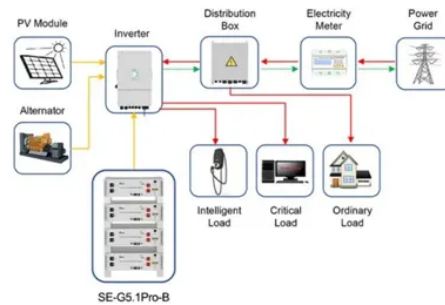




# Lithium Titanium Battery Technology Co Ltd



Application scenarios of energy storage battery products

## Overview

A lithium-titanate battery is a modified lithium-ion battery that uses lithium-titanate nanocrystals, instead of carbon, on the surface of its anode. This gives the anode a surface area of about 100 square meters per gram, compared with 3 square meters per gram for carbon, allowing electrons to enter and leave the anode. The lithium-titanate or lithium-titanium-oxide (LTO) battery is a type of which has the advantage of being faster to charge than other but the disadvantage is a much. Titanate batteries are used in certain Japanese-only versions of as well as 's EV-neo electric bike and. They are also used in the concept electric bus. Because of the battery's high level of safety and recharge. • • • • • Log 9 scientific materialsThe Log9 company is working to introduce its tropicalized-ion battery (TiB) backed by lithium ferro-phosphate (LFP) and lithium-titanium-oxide (LTO) battery chemistries. Unlike LFP and LTO, the more popular NMC (Nickel Manganese.



## Article Content

New energy-Lithium battery-Energy storage-Shandong Dejin ...

Shandong Dejin New Energy Technology Co., Ltd. is located in the High-tech Industrial Park, Longkou City, Yantai, Shandong. The total investment of the project is 1 billion yuan and the annual production capacity is 3Gwh. ... New energy-Lithium battery-Energy storage-Shandong Dejin New Energy Technology Co., Ltd. choose an area code ...

Solid state Lithium|Power battery|Energy storage system

Ganfeng LiEnergy is a subsidiary of Ganfeng Lithium, an A+H share listed company (A□002460,H□01772). With Ganfeng Lithium's brand, technology, and resources, and a promising industry, Ganfeng LiEnergy is committed to solve energy problems with the most sustainable resources and the most advanced technologies, becoming a pioneer and a leader ...

Lithium Titanate Oxide (LTO) Battery Market ...

Lithium Titanate Oxide (LTO) Battery Market Size is valued at USD 4.59 billion in 2023 and is predicted to reach USD 9.74 billion by the year 2031 at a 9.96% CAGR during the forecast period for 2024-2031.. Key ...

Li Ion Battery Anode Raw Materials Lithium ...

Gelon(Int) LIB Group Ltd was set up as a manufacturer and exporter in 2007, dealing with lithium battery materials, equipments, technology, etc. Gelon New Battery Materials Co., Ltd., E-Battery Co., Ltd., Linyi Gelon LIB Co., Ltd., with ...

Jinan Yudong Trading Co., Ltd

Jinan Yudong Technology Co., Ltd. is the comprehensive chemical enterprise with scientific research, production and sales. We have always dedicated to research, development and production of fine chemicals since founded in 2002. The company has owned perfect basic equipments, advanced production technic, equipped production instruments and full ...

GUS Technology Co., Ltd. | APEA

GUS Technology Co., Ltd. (GUS) provides one-stop services, from battery cell manufacturing to module designs to end-user applications. The company's flagship products include high ...

Lithium Titanate Battery Manufacturer

We are leading& reliable manufacturer of lithium titanate batteries & technology for portable products and energy-storage industry. With 8 years of extensive experience and ...

GUS Technology and Toshiba Signed Agreement for ...

TAOYUAN, Nov. 20, 2024 /PRNewswire/ -- GUS Technology, a prominent player in Taiwan's lithium-ion battery sector, has signed a Technical Assistance and License Agreement with Japan's Toshiba ...

Specializing in providing lithium battery ...

UBIQ's main products of our company are Vacuum Mixer, Automatic Film Coater, Rolling press, Disc Cutter, CR2032 Crimper, Charging and Discharging Machine, Copper Foil, ...

GTC-Power (GuangDong Hengqin) ...

GTC-Power (GuangDong Hengqin) Technology Co., Ltd. EN. ... High purity lithium sulfide 3C battery Battery Energy storage battery. Strategic layout. Outlook Development Global layout. ...

Li-ion Conducting Solid-state Electrolyte ...

High Lithium-Ion Conducting Solid Electrolyte Lanthanum Lithium Titanate Ceramics for Next Generation Battery: Author: Hideki Sakai: Book: Technology and Material for Improvement of Ion ...

Lithium-Ion Battery Manufacturer, Li-ion Battery, Lithium ...

Lithium-Ion Battery Supplier, Li-ion Battery, Lithium Titanate Battery Manufacturers/ Suppliers - Hefei Ecolite Software Co., Ltd. ... (lithium titanium oxide, LTO) lithium-ion cell technology, accelerating our progress towards a cleaner energy future, specifically for: Solar power, wind power, renewable energy, energy storage, marine & RV ...

Shenzhen Genju Technology Co., Ltd.

Relying on 16 years of industry experience, established independent research and development of lithium battery brands - SAFD and WORWOLF, with 38 invention patents. Our batteries have certifications such as CE, RoHs and ...

Help lithium titanate battery development into the fast lane!

Help lithium titanate battery development into the fast lane! Yinlong New Energy officially changed its name to "Gree Titanium". On November 11, "Gree Titanium New Energy Co., Ltd." issued an announcement. Yinlong New Energy Co., Ltd. has changed its name to "Gree Titanium New Energy Co., Ltd." (referred to as "Gree Titanium") since November 9.

Wuhan Vution Lithium Power Technology ...

Ternary lithium battery VS lithium iron phosphate battery The main advantages of lithium iron phosphate batteries are high safety and longer cycle life, which can theoretically reach 7 to ...

Electric Scooter Battery Manufacturer, Li Ion Battery, ...

Henan Cns Energy Technology Co., Ltd. ... Battery manufacturer / supplier in China, offering Manufacturer 22.2V2.5ah Fascia Gun Massage Gun Battery Customized Lithium Battery Pack, 18650 Lithium Battery Pack 7.4V 2000mAh ...

### Battery LS

Battery LS is a high-tech enterprise, focusing on all kinds of new energy batteries, lithium iron phosphate batteries/battery packs, ternary batteries/battery packs, battery management systems ...

Huizhou Huiderui Lithium Battery Technology Co., Ltd.

Huizhou Huiderui Lithium Battery Technology Co., Ltd. Address□No. 4, Xingye Avenue, Chenjiang, Zhongkai Hi-Tech Development Zone, Huizhou, Guangdong 516029,China. Telephone□+86-752-2652968□2652059□2652746 . Fax□+86-752-2652186. E-mail□sales@huiderui . Scan mobile website.

Guangzhou Seener Technology Co., Ltd

Seener Technology Co., Ltd is a modern high-tech company in China, offering one-stop service from ID design, R& D, manufacturing to transportation. Products categories include rechargeable Li-ion battery, Lithium polymer battery, ...

Titanium XV110 Dual Purpose Leisure Battery 110Ah

Titanium XV110 Dual Purpose Leisure Battery 110Ah - XV110 (Titanium) product brought to you by BMS Technologies LTD Offering free next working day delivery. ... Lithium Batteries; Batteries By Application. Car. Hankook; Varta; Bosch; ...

Xingdong Lithium Battery Technology Co., Ltd.

Lithium-based batteries; Stationary energy storage for residential buildings; Stationary energy storage for commercial and industrial applications ... Xingdong Lithium Battery Technology Co., Ltd. The Southeast Corner Of The Intersection Of Longgang Sreet And Zhenxing Road, Xingdong New District 055250 Xingtai, China. Xingdong Lithium Battery ...

Xingdong Lithium Battery Technology Co.,Ltd | LinkedIn

Xingdong (Hebei) Lithium Battery Technology Co., Limited is a complete industrial chain, specializing in R& D, manufacturing, sales, operation, and maintenance of power, energy storage batteries ...

Titanium Battery

China Titanium Battery wholesale - Select 2025 high quality Titanium Battery products in best price from certified Chinese Battery Plus manufacturers, Battery Set suppliers, wholesalers and factory on Made-in-China ... SHENZHEN HONGYUAN ENERGY TECHNOLOGY CO., LTD. SHENZHEN HONGYUAN ENERGY TECHNOLOGY CO., LTD. ... 18 Years Factory Price Lto ...

Comprehensive Guide to Lithium Battery Copper Foil Plant ...

With the rapid growth of the electric vehicle market, energy storage technology has become critical, and lithium battery copper foil plays an indispensable role. In China, the development of lithium battery copper foil technology has made significant strides, thanks to a well-established upstream and downstream supply chain and advanced technological expertise.

Huzhou Yongxing Lithium Battery Technology Co., Ltd.

Huzhou Yongxing Lithium Battery Technology Co.,Ltd (hereinafter referred to as "Yongxing Lithium Battery"), is the subsidiary of the listed company "Yongxing Materials Holdings"(stock code:002756). The company was registered on January 14th, 2020, with a registered capital of 150 million RMB.Yongxing Lithium Battery mainly focuses on the R& D, production, and sales ...

L'état de développement de la technologie des batteries au ...

La Chine a déjà produit de nombreuses batteries au titanate de lithium, telles que Huzhou Weihong, Zhuhai Yinlong, Shenzhen Boleida, Tianjin Jiwei Power Industry Co., Ltd., Sichuan Xingneng, CITIC Guoan Mengguli Power Technology Co., Ltd., Hunan Shanshan et un certain nombre de petits fabricants de batteries au titanate de lithium autour d ...

Lithium-titanate battery

The lithium-titanate or lithium-titanium-oxide (LTO) battery is a type of rechargeable battery which has the advantage of being faster to charge ... According to a Weatherflow Co. article, ... Gree introduced its Yinlong Battery Technology, a type of fast-charging LTO (lithium-titanate) battery, which can operate in extreme temperature ...

Lithium Titanium Oxide LTO Battery Market Size, Share

Report Description Lithium Titanium Oxide (LTO) Battery Market Outlook. The Lithium Titanium Oxide (LTO) battery market size was USD 1.33 Bn in 2022 and is projected to reach USD 13.94 Bn by 2031, expanding at a CAGR of 29.8% during the forecast period 2023-2031. The market growth is attributed to the increasing usage of LTO batteries for EVs and Energy Storage ...

Titanium Anode Solutions for Enhanced EV Battery Performance

Reducing gas generation in lithium ion batteries with lithium titanate anodes by forming a conformal layer on the anode cores to sequester lithium and prevent electrolyte ...

The Latest Innovations in High-Quality Lithium-Titanate Battery ...

The lithium-titanate (LTO) battery market is continuously evolving, with new innovations enhancing efficiency, durability, and applications. As industries demand higher-performing and ...

Toshiba Ranks No. 1 in Japan, the United States and ...

Toshiba first applied the technology in the SCiB™, the lithium-ion battery it brought to market in 2008. Over more than 20 years, Toshiba has raised the competitiveness of its battery business and built a world-class ...

## Contact Us

For more information, pricing, or custom solutions, please contact us:

Website: <https://radio-energy.eu>

Email: [info@radio-energy.eu](mailto:info@radio-energy.eu)

Phone: +33 6 48 27 91 34

Address: Am Hauptbahnhof 10, 60329 Frankfurt am Main, Germany

This document is for informational purposes only. Specifications subject to change without notice.

